

Bushing Data:

Rated Voltage	550	kV
Phase to-earth Voltage	318	kV
Dry Lightning Impulse I, 2/50µs	1800	kV
Wet Switching Impulse	1300	kV
Wet Power frequency AC	800	kV
Routine test Imin dry 50Hz	800	kV
Rated Current	2500	A
Creepage Distance	13380	mm
Mass	1785	kg

Ordering Data:

BUSHING
 LF121074 -A / -AA COLOUR AIR INSULATOR
 BROWN / LIGHT GREY

OUTER TERMINAL

LF170 073-A Al	H2 (mm)	D2 (mm)
LF170 073-B Cu	125	60
LF170 073-G Cu/Ag	125	60
OTHER TYPES ON REQUEST	125	60

END-SHIELD

LF170 046-V EPOXY INSULATED
 LF170 046-VP INSULATED WITH 3 mm PRESSBOARD

DRAW ROD SYSTEM

LF170 059 LOWER DRAW ROD WITH NI=4 OR NI=6
 LF170 057 UPPER DRAW ROD

INNER TERMINAL

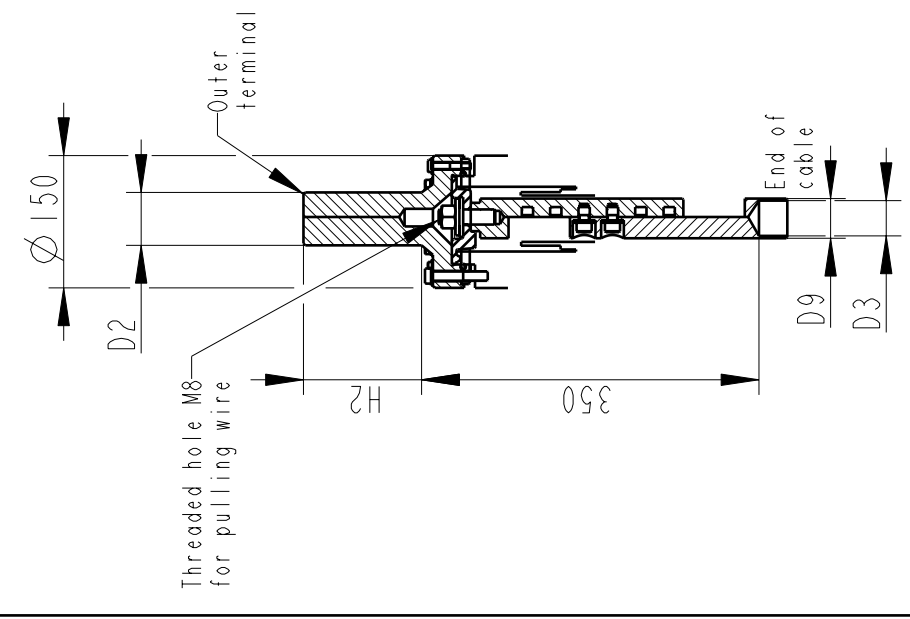
D3 (mm)	D9 (mm)	Cond. area (mm ²)	Current (A)	IEEE
LF170 056-E O*)	45	-	-	-
LF170 056-D	40	600	1600	1360

*) WITH PILOT HOLE D=5

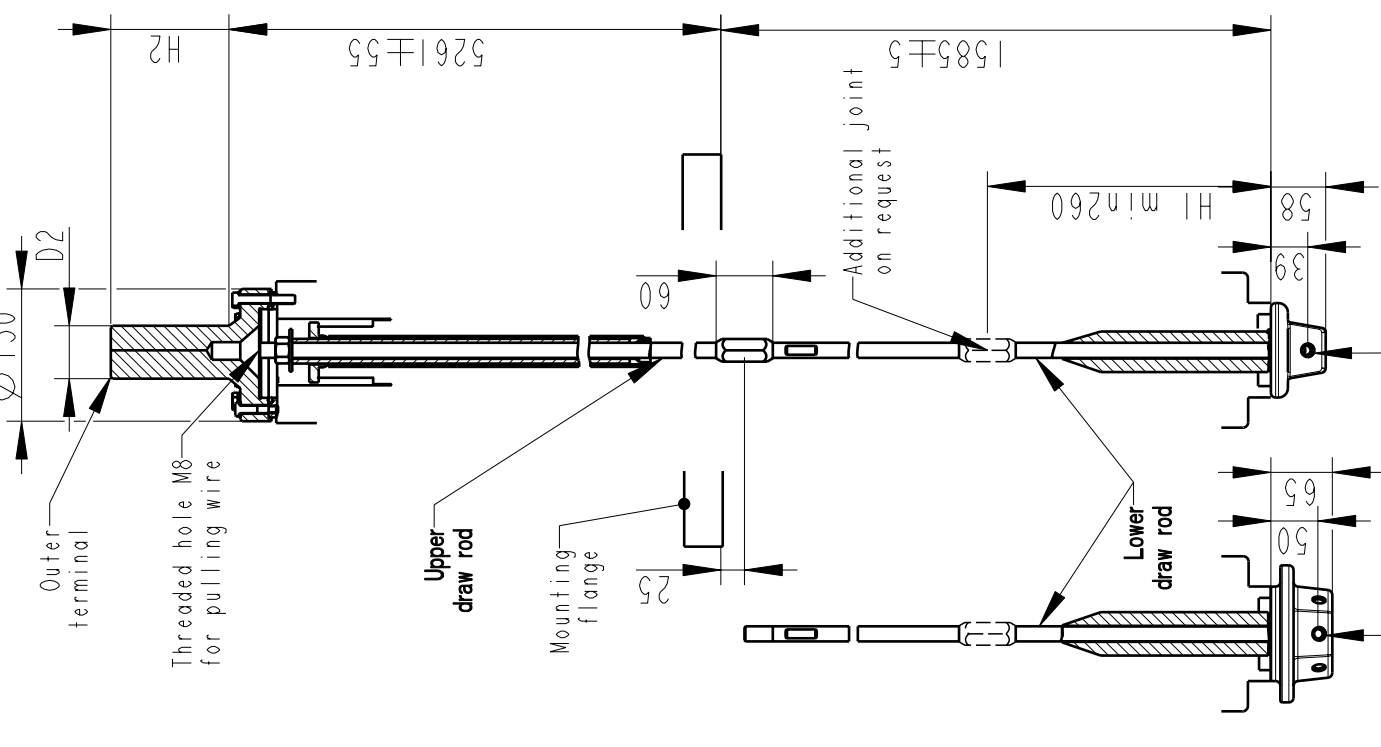
ABB Components Lutha, Sweden

No.	kV I	A	50/60 Hz
U	kV SI	kV AC	kV
M	kg L	mm D	
C1	pF	Tanδ	
C2	pF	Tanδ	

INNER TERMINAL / OUTER TERMINAL

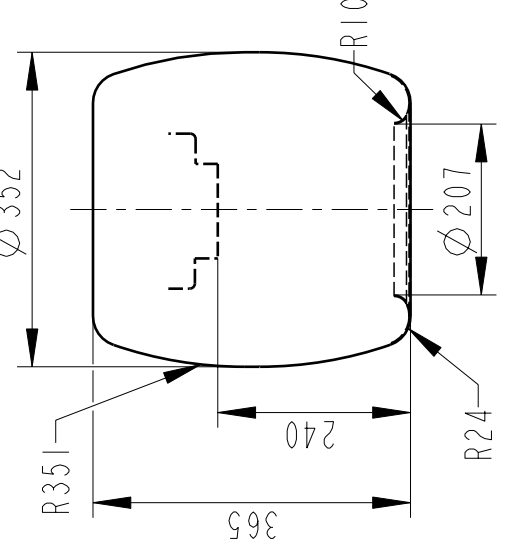


DRAW ROD SYSTEM / OUTER TERMINAL



NI=Number of holes M12, equipped with thread insert with screw lock, depth 20, for cable lugs.

END SHIELD



We reserve all rights in this document and in the information contained therein. Reproduction, use or disclosure to third parties without express authority is strictly forbidden. ©ABB